

# Liquid Level Controller



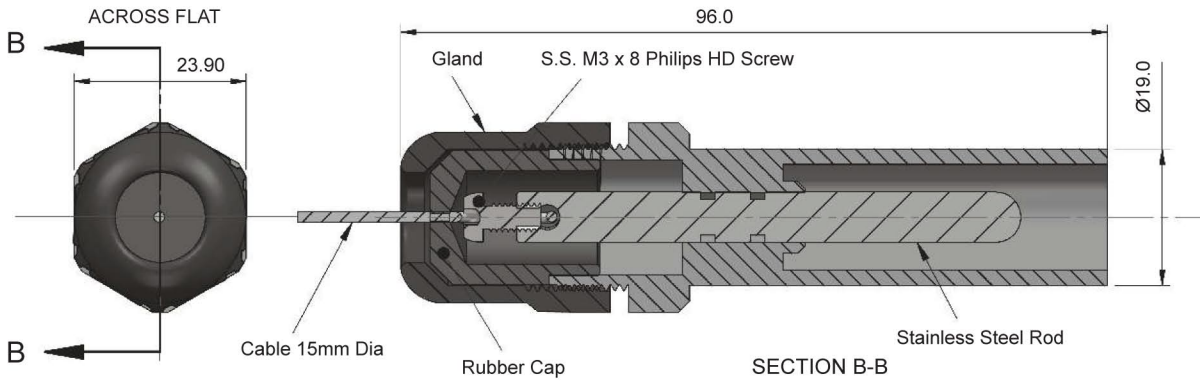
## SENSOR DIAGRAM

A single pole electrode used for level control in wells or storage tanks. It comprises of stainless steel Sensor with plastic holder and cable gland. A sealed ring and cable gland prevents liquid from entering the cable terminal connector and causing its oxidation.

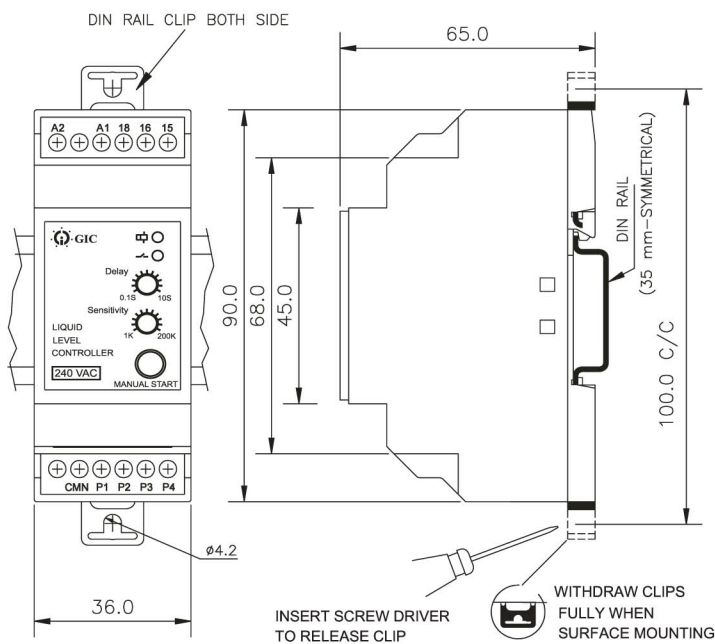
Maximum operating temperature : -10°C to +65°C

Cable connection: Screw

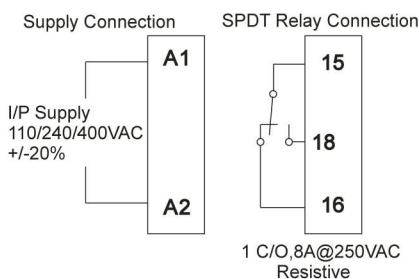
The external cable diameter must be 1.5 mm to warrant perfect sealing.



## MOUNTING DIMENSIONS (mm)



## CONNECTION DIAGRAM



## TERMINAL TORQUE & CAPACITY

	0.54 N.m (6 Lb.in)
	1 x 2.5 mm <sup>2</sup> Solid Wire/Stranded
AWG	1 x 24 to 12