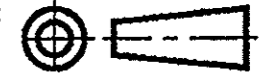


DO NOT SCALE  
DIMENSIONS IN mm

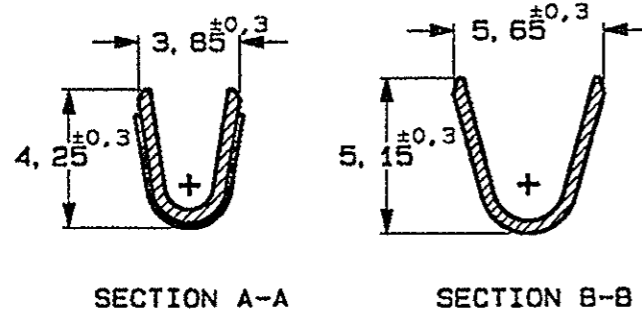
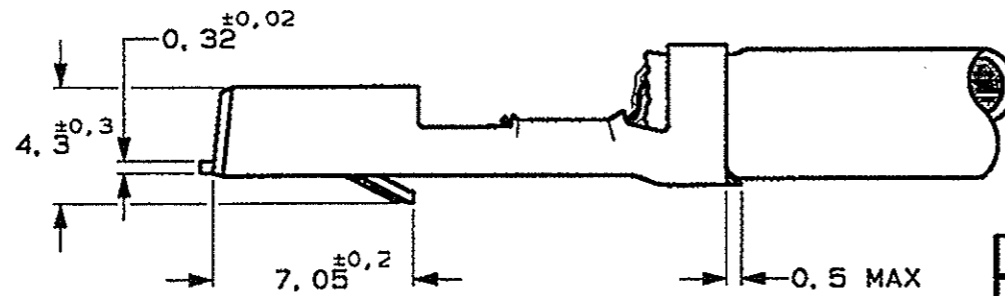
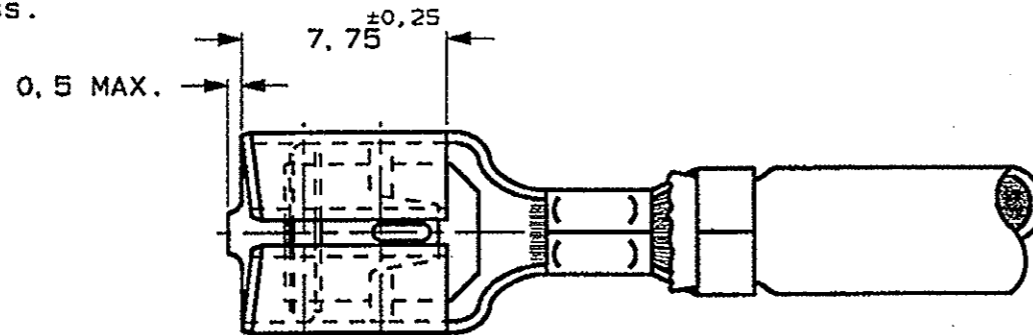
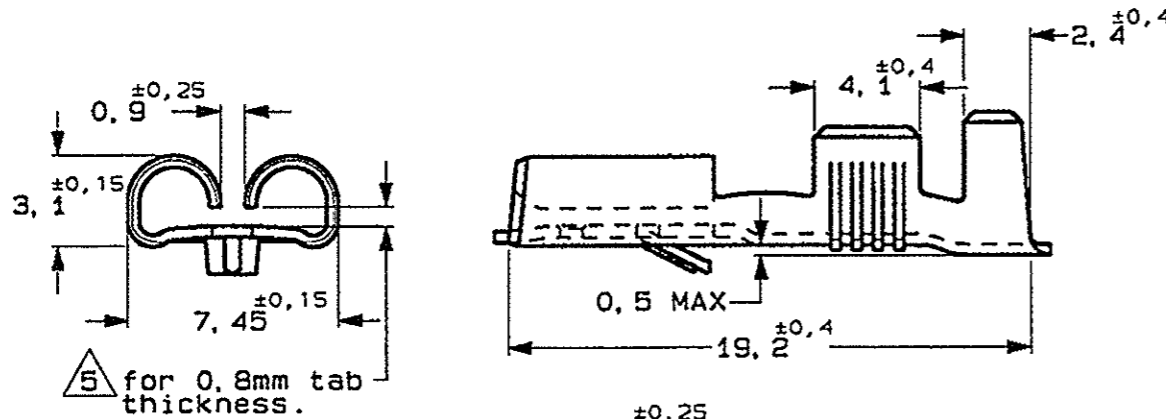
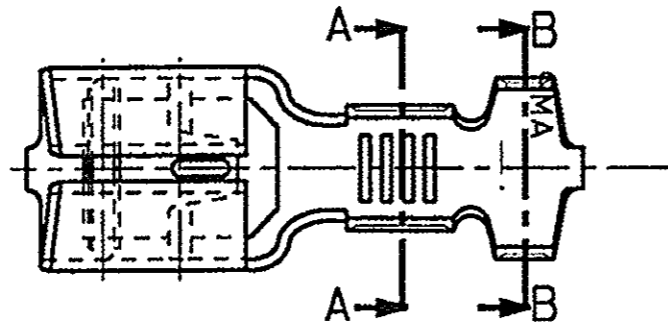
METRIC

THIRD ANGLE  
PROJECTION



NOTES

- 1 FOR USE ON MINIATURE APPLICATORS ( LEFT-RIGHT FEED ) AND STANDARD APPLICATORS ( RIGHT-LEFT FEED ).
- 2 FOR USE ON MINIATURE APPLICATORS (AMP-O-MATOR APPLICATION). ( LEFT-RIGHT FEED ).
- 3 BRASS ACC ASTM B36 ALLOY 260.
- 4 PH.BRONZE ACC ASTM B103.
- 5 GAGE 0,71 MUST NOT ENTER, GAGE 0,51 MUST ENTER.



WIRE RANGE :  
1,0-2,5 mm<sup>2</sup>  
INSULATION RANGE :  
3,4-5,1mm DIA.

DIRECTION OFF TOP OF REEL



SILVER	6-160448-6	BRASS	6-160449-6
TIN	6-160448-5	BRASS	6-160449-5
SILVER	6-160448-3	PH.BRONZE	6-160449-3
TIN	6-160448-2/6--8	PH.BRONZE	6-160449-2
PLAIN	6-160448-1	PH.BRONZE	6-160449-1
PLAIN	6-160448-0/6--7	BRASS	6-160449-0
PLATING	STRIPNUMBER	MATERIAL	PARTNUMBER

A1 RESTRICTION REMOVED				HY	06-10-06	CUSTOMER DRAWING FOR REFERENCE ONLY WILL NOT BE UPDATED	
A EH-0769-96				JVL	AB	24-05-95	© COPYRIGHT 1986 BY AMP HOLLAND B.V. ALL INTERNATIONAL RIGHTS RESERVED. AMP PRODUCTS MAY BE COVERED BY U.S. AND FOREIGN AND/OR PATENTS PENDING. THIS DRAWING IS UNPUBLISHED RELEASED FOR PUBLICATION .19
O EH-0065-95				DK	PB	19 JAN 95	AMP HOLLAND B.V. 's-Hertogenbosch, The Netherlands.
LTR. REVISION RECORD				DR.	CHK.	DATE	NAME
DR.: D. KESSLER				CHK.: P. BETHON	APP.: L.V. SOEST	DRG.No.	.250 SRS FASTIN-ON RECEPTACLE.
DATE: 19 JAN 95				DATE: -	DATE: -	160449	
				DR.	CHK.	DATE	REV.LTR.
							SHEET
							1 OF 1
							A3