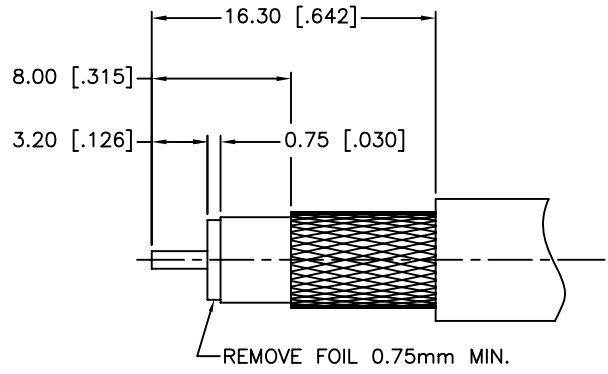
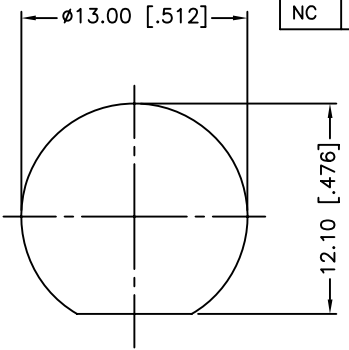


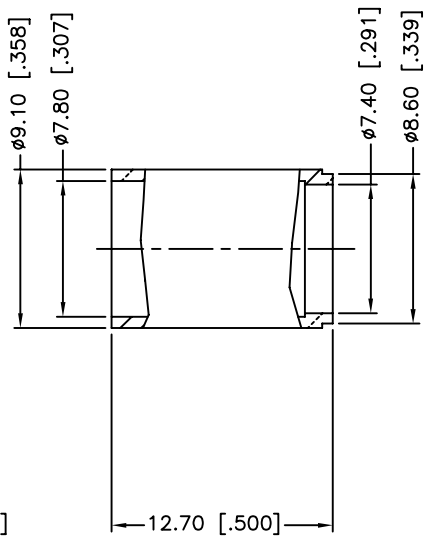
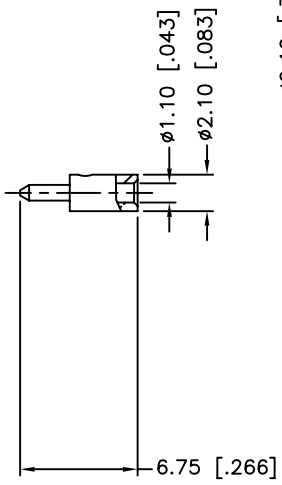
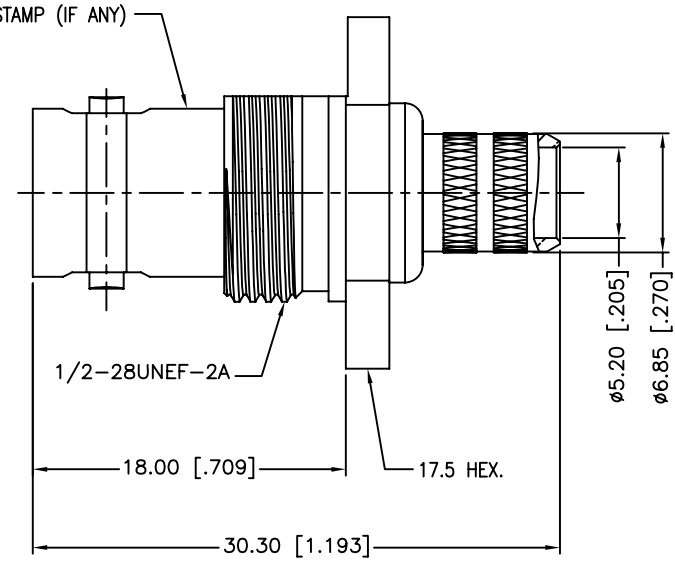
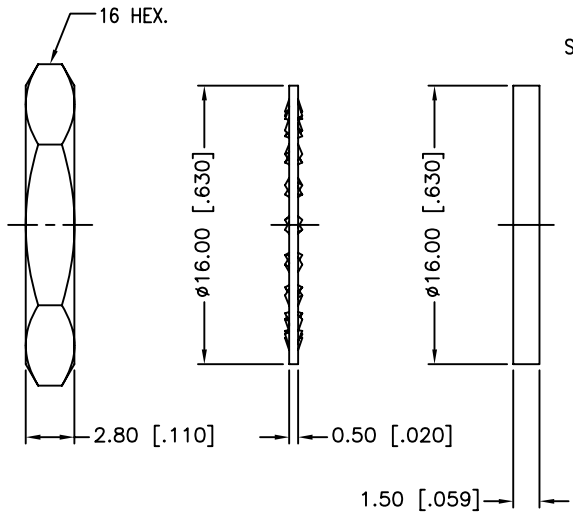
REV.	DATE	ECR NO.	DESCRIPTION
NC	01/23/10	XXXXXX	INITIAL RELEASE



RECOMMENDED
CABLE STRIPPING DIM'S



RECOMMENDED
MOUNTING HOLE



1. FREQUENCY RANGE: 0 - 3 GHZ
2. VSWR: 1.15, MAX.
3. CRIMPED FERRULE
HEX CRIMP SIZE .314"
4. CRIMPED CONTACT PIN
HEX CRIMP SIZE .068"
5. MAX. PANEL THICKNESS=4.5mm

9	HEX NUT	BRASS	NICKEL	1
8	LOCK WASHER	BRASS	NICKEL	1
7	GASKET	RUBBER	RED	1
6	FERRULE	BRASS	NICKEL	1
5	CONTACT PIN	BRASS	GOLD	1
4	BARREL	BRASS	NICKEL	1
3	INSULATOR	PTFE	NATURAL	1
2	CONTACT PIN	PHOSPHOR BRONZE	GOLD	1
1	BODY	BRASS	NICKEL	1
	DESCRIPTION	MATERIAL	FINISH	QTY

UNLESS OTHERWISE SPECIFIED DIMENSIONS ARE IN MILLIMETERS. DIMENSIONS IN [] ARE IN INCHES AND FOR CUSTOMER REFERENCE ONLY.

UNLESS OTHERWISE SPECIFIED TOLERANCES FOR MILLIMETERS ARE:
0.5 - 8mm ± 0.20mm
8 - 30mm ± 0.40mm
30 - 120mm ± 0.50mm

UNLESS OTHERWISE SPECIFIED TOLERANCES FOR INCHES ARE:
.020 - .315 = ± 0.007"
.315 - 1.180 = ± 0.015"
1.180 - 4.724 = ± 0.020"

DO NOT SCALE DRAWING

APPROVALS	DATE
DRAWN M.ZHANG	01/23/10
CHECKED	
ISSUED	
SHEET 1 OF 1	
CAD FILE C:/CONNEX/112662-10.DWG	

Amphenol Connex

PART DESCRIPTION
**BNC BULKHEAD CRIMP JACK
(FOR RG6 PLENUM/BELDEN 1694A CABLE)**

PART NO. **112662-10**

DWG. NO. 112662-10.DWG REV. A SIZE A SCALE NA

Mouser Electronics

Authorized Distributor

Click to View Pricing, Inventory, Delivery & Lifecycle Information:

[Amphenol:](#)

[112662-10](#)