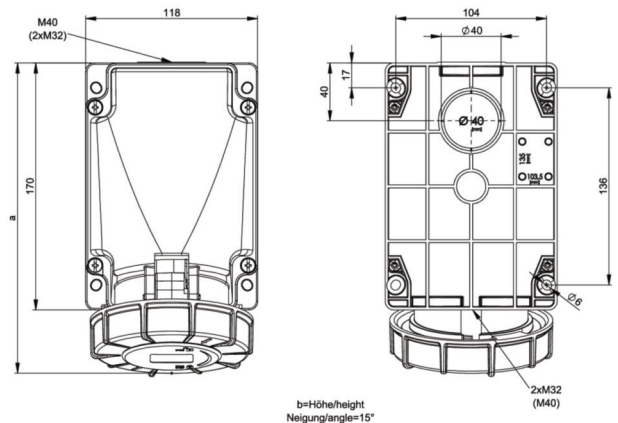


PCE data sheet

| | |
|------------------------|--|
| article# | 134-6 |
| article description | CEE-wall mounted socket 63A 4p 6h IP67 POWER TWIST |
| description long | CEE-wall mounted socket 63A 4p 6h IP67 POWER TWIST housing material: PC/ABS rated current: 63A number of poles: 4 (3P+PE) clock-position: 6h rated voltage/frequency: 380-415V~ / 50+60Hz contacts: brass, with lamellar spring (CuBe) connection technology: frame terminals with screws cable entry: top, bottom, rear inc. threaded blind cap IP protection class: IP66/IP67 |
| GTIN (EAN) | 9003399032646 |
| country of origin | AT |
| customs number | 85366990 |
| net weight | 0.869 kg |
| packaging quantity | 1 |
| minimum order quantity | 1 |

| | |
|---------------------------|---------------------------|
| ETIM 7.0 | EC001321 |
| Model | Surface mounted (plaster) |
| IEC-amperage | 63 A |
| Number of poles | 4 |
| Voltage acc. EN 60309-2 | 400 V (50+60 Hz) red |
| Clock hour position | 6 h |
| Identification colour | Red |
| Degree of protection (IP) | IP67 |
| Connection system | Screwed terminal |
| Cable entry | Swivel |
| Material | Plastic |
| Contact material | CuZn |
| Surface finish contacts | Untreated |
| Type of fastening | External mounting |
| Insulated mounting | True |
| Military model | False |

| | |
|--------------------|----------------------|
| wire flexible | 6-16 mm ² |
| wire solid | 6-25 mm ² |
| contact screws | 200 Ncm |
| dismantling length | 100 mm |
| stripping length | 15-18 mm |



www.manufacturer-safety.info