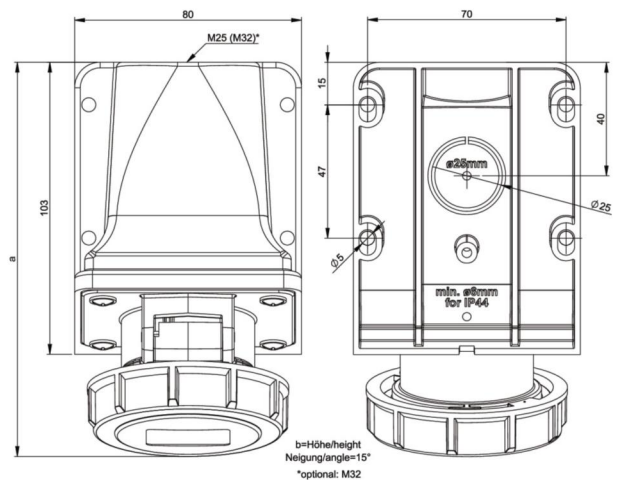


PCE data sheet

article#	1622v
article description	CEE-wall mounted socket 16A 2p 24VAC 50/60Hz IP66/IP67 TWIST
description long	CEE-wall mounted socket 16A 2p 24VAC 50/60Hz IP66/IP67 TWIST housing material: PA6 rated current: 16A number of poles: 2 (2P) rated voltage/frequency: 24V~ / 50+60Hz contacts: brass nickel plated connection technology: screw terminals IP protection class: IP66/IP67
GTIN (EAN)	9003399138096
country of origin	AT
customs number	85366990
net weight	0.244 kg
packaging quantity	5

ETIM 7.0	EC001321
IEC-amperage	16 A
Number of poles	2
Voltage acc. EN 60309-2	20-25 V (50+60 Hz) violet
Clock hour position	None h
Identification colour	
Degree of protection (IP)	IP67
Connection system	Schraubklemme
Cable entry	Verschraubung
Material	Plastic
Type of fastening	External mounting
Insulated mounting	True



www.manufacturer-safety.info