

TAE

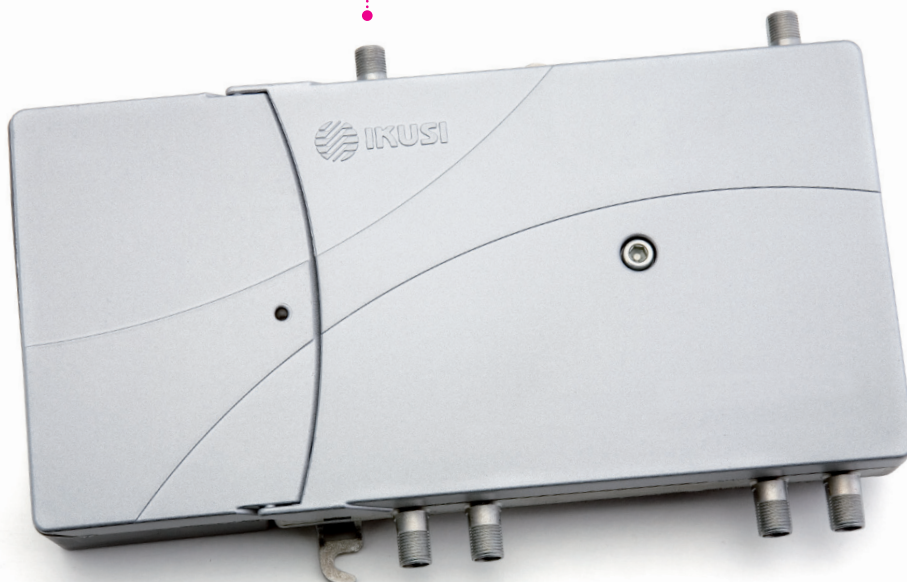
Extension Amplifiers

862 MHz Amplifiers three models with active return path, for the distribution of terrestrial TV signals.

3 models:
Output level: 125 ; 120 ; 118 dB μ V



TV signals input and Reverse way output



Low consumption



TV signal output and Reverse way input



Attenuation and equalization adjustments

Main Features

| Model | | TAE1125 | TAE1120 | TAE1118 |
|-----------------------|-----|----------|----------|----------|
| Ref. | | 3249 | 3264 | 3263 |
| Powering mode | | Mains | Mains | Mains |
| Bandwidth-Forward way | MHz | 86 - 862 | 86 - 862 | 86 - 862 |
| Bandwidth-Reverse way | MHz | 5 - 66 | 5 - 66 | 5 - 66 |

Forward way

| | | | | |
|--------------------------------------|------------|--------|--------|--------|
| Response flatness | dB | ±0.75 | ±0.75 | ±0.75 |
| Nominal gain | dB | 35 | 35 | 35 |
| Input variable attenuator | dB | 0 – 18 | 0 – 18 | 0 – 18 |
| Slope control range | dB | 0 – 18 | 0 – 18 | 0 – 18 |
| Noise figure | dB | ≤ 5 | ≤ 8 | ≤ 8 |
| Output level (IM3 -60dB, DIN 45004B) | dB μ V | 124 | 120 | 118 |
| Output level (IM2 -60dB, EN 50083-3) | dB μ V | 115 | 115 | 115 |
| Output level (CTB -60dB, EN 42 ch) | dB μ V | 110 | 105 | 103 |
| Output level (CSO -60dB, EN 42 ch) | dB μ V | 114 | 108 | 106 |
| Output test | dB | -30 | -30 | -20 |

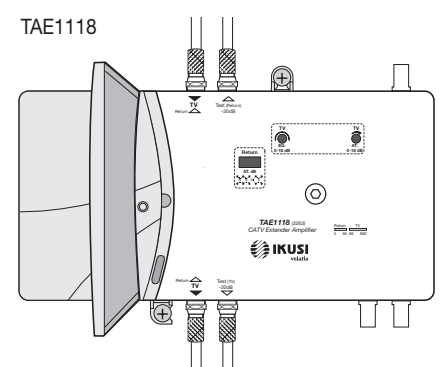
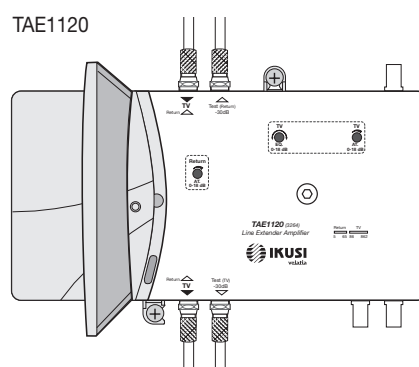
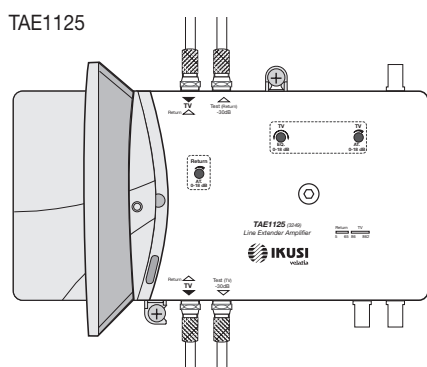
Reverse way

| | | | | |
|--------------------------------------|------------|--------|--------|--------|
| Nominal gain | dB | 25.5 | 25.5 | 12 |
| Input variable attenuator | dB | 0 – 18 | 0 – 18 | 0 – 11 |
| Noise figure | dB | ≤ 7 | ≤ 7 | ≤ 7 |
| Output level (-60dB, DIN 45004B) | dB μ V | 115 | 110 | 110 |
| Output level (IM2 -60dB, EN 50083-3) | dB μ V | 108 | 105 | 105 |
| Output test | dB | -30 | -30 | -20 |

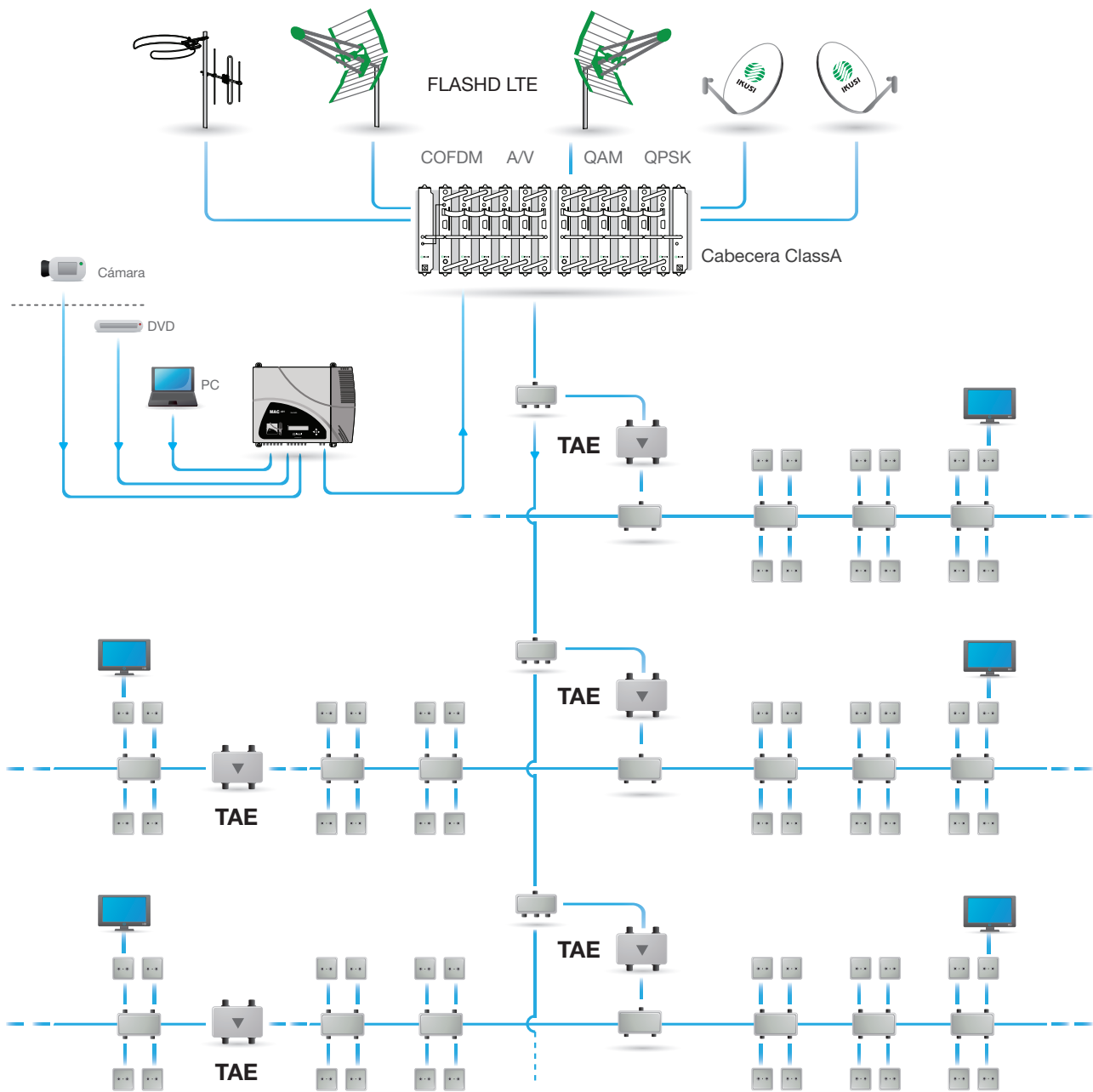
General

| | | | | |
|--------------------------|-----------------|----------------|----------------|----------------|
| Operating supply voltage | V _{AC} | 230-240 | 230-240 | 230-240 |
| Consumption | W | 15 | 10 | 10 |
| Dimensions | mm | 222 x 140 x 44 | 222 x 140 x 44 | 222 x 140 x 44 |

- Distribution of television, sound and interactive multimedia signals.
- The TAE1125 model, ideal for hotels and dense multiple dwelling units.
- 862 MHz amplifiers with active return path on all models.
- Mains or line powering 50/60. Operation shown by led. Mains lead insertable in connection socket.
- Attenuation and equalization adjustments of TV signals by potentiometer. Selection of return signal attenuation by the insertion of small plug-in links.
- Forward and reverse output test.
- Power Doubling technology (TAE1125) and Push-pull technology (TAE1120 and TAE1118).
- Zamak housing with protective cover for the adjustment controls. Wall fixing. Indoor mounting. Grounding terminal.
- Removable Power Supply.



Application examples



- TAE model depends on the number of users and the expansion of the distribution network.



HEADQUARTER

IKUSI - Ángel Iglesias S.A. · Pº Miramón, 170 · 20014 San Sebastián · SPAIN
 Tel.: +34 943 44 88 00 · Fax: +34 943 44 88 20 · television@ikusi.com · www.ikusi.tv

