

max. 338 m<sup>3</sup>/h

# DC Axial Fans

Series 5200 N 127 x 127 x 38 mm



### Highlights:

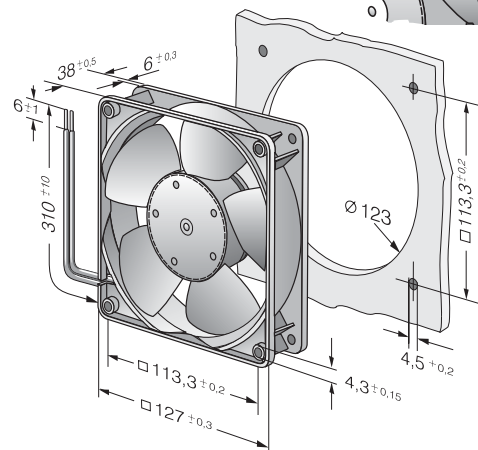
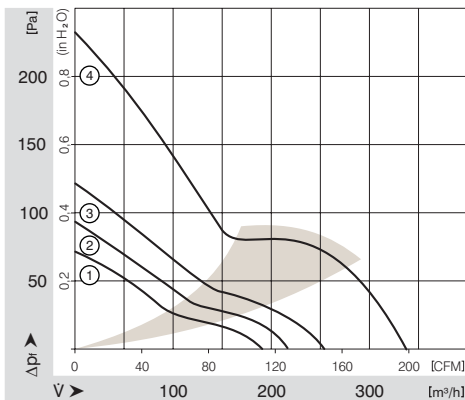
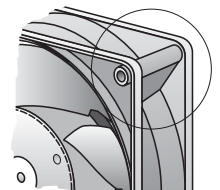
- Optional Vario-Pro: Highly adaptable software configuration of the fan enables a tailor-made solution to the specific requirements of your applications.

### General characteristics:

- Material: fiberglass-reinforced plastic. Impeller PA, housing PBT.
- Fully integrated electronic commutation.
- Protected against reverse polarity and blocking.
- Electrical connection via single leads AWG 22, TR 64. Stripped and tinned ends.
- Blowing over struts. Rotational direction CCW looking at rotor.
- Mass: 310 g.

Nominal Data	Air Flow		Nominal Voltage	Voltage Range	Noise	Sound Power	Sinter-Sleeve Bearings Ball Bearings	Power Input	Nominal Speed	Temperature Range	Service Life L <sub>10</sub> (40 °C) ebm-papst Standard	Service Life L <sub>10</sub> (T <sub>max</sub> ) ebm-papst Standard	Life expectancy L <sub>10/Δ</sub> (40 °C)	Curve	Specials
	m <sup>3</sup> /h	CFM													
5212 NM	187	110.1	12	7...14.5	43	5.3	■	4.6	2 750	-20...+75	62 500 / 27 500	122 500	1		
5212 NN	216	127.1	12	7...14	46	5.6	■	6.0	3 150	-20...+75	57 500 / 25 000	112 500	2	/2	
5212 NH	252	148.3	12	7...14	51	6.0	■	9.8	3 650	-20...+70	45 000 / 22 500	90 000	3		
5212 NHH*	338	198.9	12	9...15	58	6.6	■	19.0	4 900	-20...+65	45 000 / 25 000	90 000	4	/2	
5214 NM	187	110.1	24	12...28	43	5.3	■	4.6	2 750	-20...+75	62 500 / 27 500	122 500	1		
5214 NN	216	127.1	24	12...28	46	5.6	■	6.0	3 150	-20...+75	57 500 / 25 000	112 500	2	/2	
5214 NH	252	148.3	24	12...28	51	6.0	■	9.8	3 650	-20...+70	45 000 / 22 500	90 000	3	/2; /12	
5214 NHH*	338	198.9	24	16...30	58	6.6	■	17.5	4 900	-20...+65	45 000 / 25 000	90 000	4	/2	
5218 NM	187	110.1	48	40...56	43	5.3	■	5.0	2 750	-20...+75	62 500 / 27 500	122 500	1		
5218 NN	216	127.1	48	40...56	46	5.6	■	6.5	3 150	-20...+65	57 500 / 32 500	112 500	2		
5218 NH	252	148.3	48	40...56	51	6.0	■	10.0	3 650	-20...+55	45 000 / 32 500	90 000	3	/2	
5218 NHH*	338	198.9	48	36...60	58	6.6	■	18.0	4 900	-20...+65	45 000 / 25 000	90 000	4	/2	

\*Modelle NHH: Fan housing with moulded-in spacers.



ebmpapst