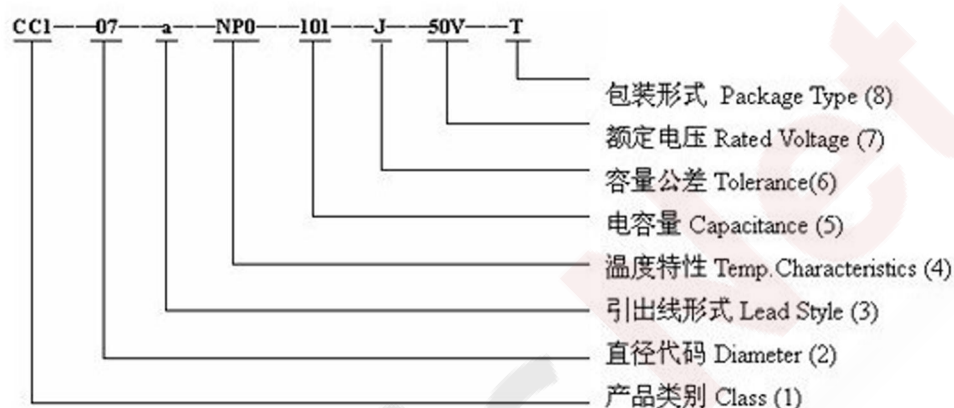


**YU YUE**

南京新玉跃电子有限公司

## Product Description

## Part Numbering System



## 1. Product category CLASS

## 1.1 Temperature compensation type (Class I)

Code	CC1	CC81
Rated Voltage	50V ~ 500V	≥ 1KV

## 1.2 High dielectric constant type (Class II)

Code	CT1	CT81	CT7
Rated voltage	50V ~ 500V	≥1KV	X1Y1/X1Y2

## 1.3 Semiconductor type (Class III)

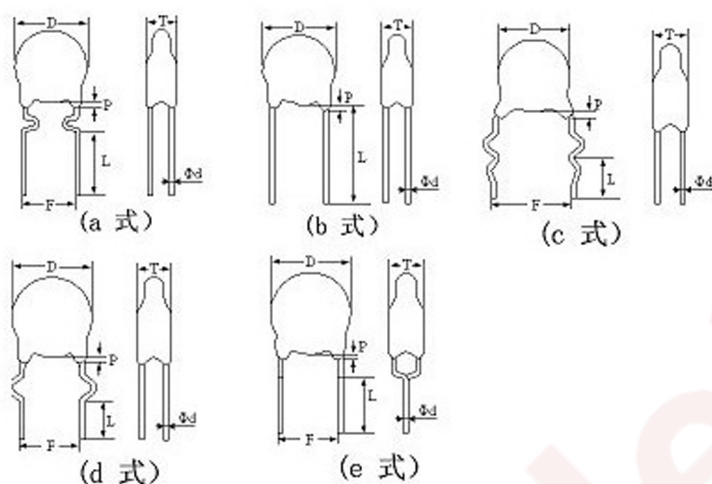
Code	CS1
Rated Voltage	16V ~ 50V

## 2. Diameter

Code	04	05	06	07	08	09	10	11	12	13	14	15	16	18
D±1(mm)	4.0	5.0	6.0	7.0	8.0	9.0	10.0	11.0	12.0	13.0	14.0	15.0	16.0	18.0

### 3. Lead Style

Code	a	b	c	d	e
------	---	---	---	---	---



### 4. Temperature Characteristics

#### 4.1 Class I

Code	NP0 (C)	N150 (P)	N220 (R)	N330 (S)	N470 (T)	N750 (U)	P350 ~ N1000 (SL)
------	------------	-------------	-------------	-------------	-------------	-------------	----------------------

#### 4.2 Class II, Class III

Code	Y5P (2B、BN)	Y5R (2R)	Y5U、Z5U (2E)	Y5V、Z5V (2F)
------	-------------	----------	--------------	--------------

### 5. Capacitance

Code	0R5	1R0	100	101	102	103	104
Capacitance	0.5pF	1pF	10pF	100pF	1000pF	0.01uF	0.1uF

### 6. Capacitance Tolerance

Code	C	D	J	K	M	Z
Cap. Tolerance	±0.25pF	±0.50pF	±5%	±10%	±20%	+ 80%-20%
Applicable Capacitance Range	≤ 5pF			≥ 5pF		

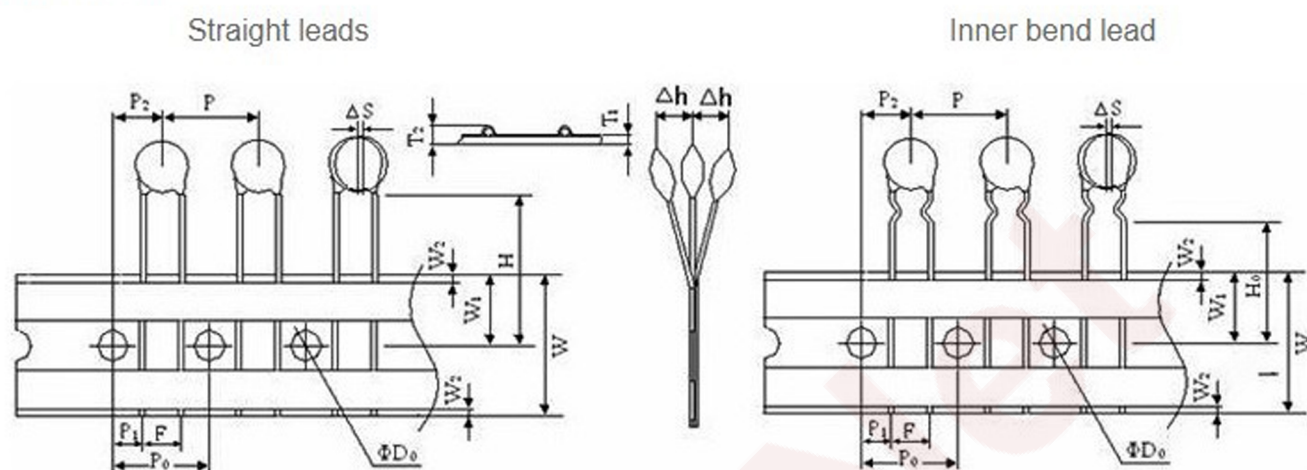
### 7. Rated Voltage

DC: From 16V to 15KV AC:X1Y1 X1Y2

## 8. Package Type

Code	B	T	
Package style	Parts	Cassette tape	Cassette tape

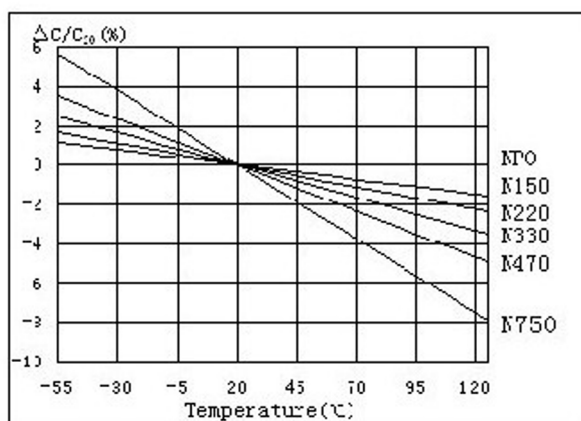
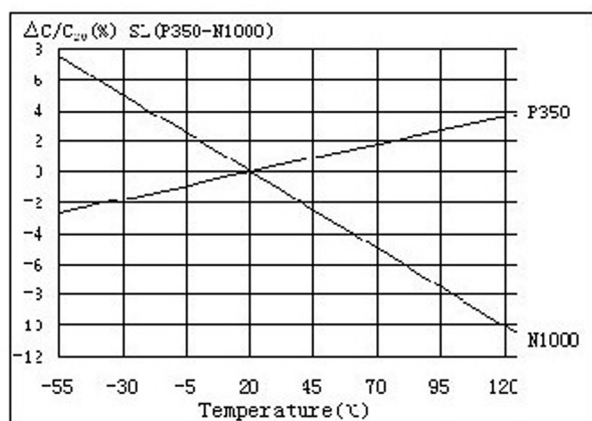
### ■ Taping Specification



Item	Code	Value (mm)	
Pitch of component	P	12.7 ±1.0	15.0±1.0
Pitch of sprocket hole	P0	12.7±0.3	15.0±0.3
Lead spacing	F	5.0 +0.8 -0.2	7.5+0.8-0.2
Length from hole center to component center	P2	6.35±1.0	7.5±1.0
Length from hole center to lead	P1	3.85±0.7	3.75±0.7
Body diameter	D	See the individual product specification	
Deviation along tape, left or right	ΔS	0±1.0	
Carrier tape width	W	18.0±0.5	
Position of sprocket hole	W1	9.0±0.5	
Lead distance between reference and bottom planes	H	20 +1.5-1.0	
	H0	16 +1.0-0.5	
Diameter of sprocket hole	ΦD0	4.0±0.2	
Total tape thickness	t1	0.5±0.2	
Total thickness, tape and lead wire	t2	1.5max	
Hold down tape position	W2	1.5+1.5 -0	
Deviation across tape	Δh	0±1.0	

Note: We will continue to improve the product, so if the technical specifications are changed or changed, the specification is subject to change.

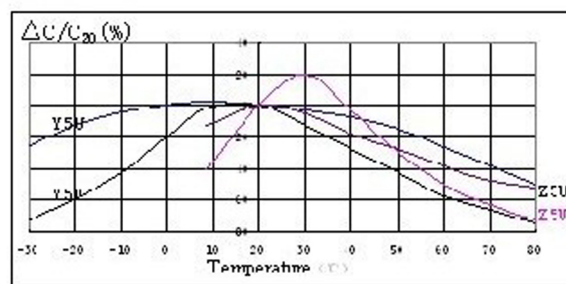
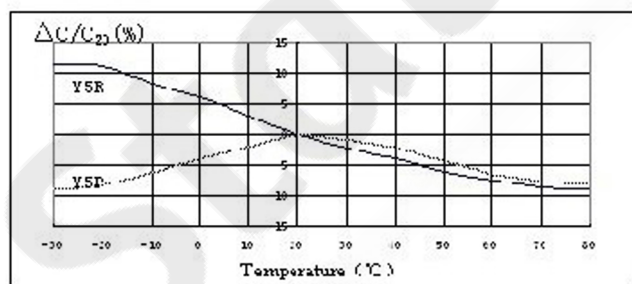
**Temperature characteristics**  
**Wafer ceramic capacitor temperature characteristics**  
**1.1 type porcelain temperature coefficient**



**Temperature coefficient, tolerance and color code**

T.C. Code	T.C. Color Code	T.C. TOL.	T.C. Code	T.C. Color Code	T.C. TOL.
NP0	Black	0±30(CG)	N470	Blue	-470±60(TH)
		0±60(CH)			-750±120(UJ)
N150	Orange	-150±60(PH)	N750	Violet	-750±250( UK )
N220	Yellow	-220±60(RH)	SL	-----	+350 ~ -1000
N330	Green	-330±60(SH)	DL		-3300 ±500

**2. Type II and III porcelain temperature characteristics**



**Temperature Characteristics**

EIA			GB		
The 1st letter	The 2nd letter	The 3rd letter			
X -55°C	5 +85°C	P ±10%	2B	±10%	-25 ~ +85°C
Y -30°C	6 +105°C	R ±15%	2E	+22-56%	
Z +10°C	7 +125°C	S ±22%	2F	+22-82%	
		T +22%-33%			
		U +22%-56%			
		V +22%-82%			