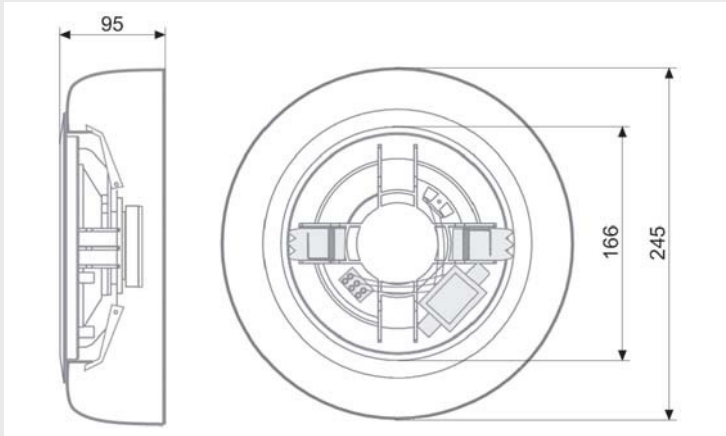


INSTRUCTION MANUAL

CEILING SPEAKER

A-256ATS



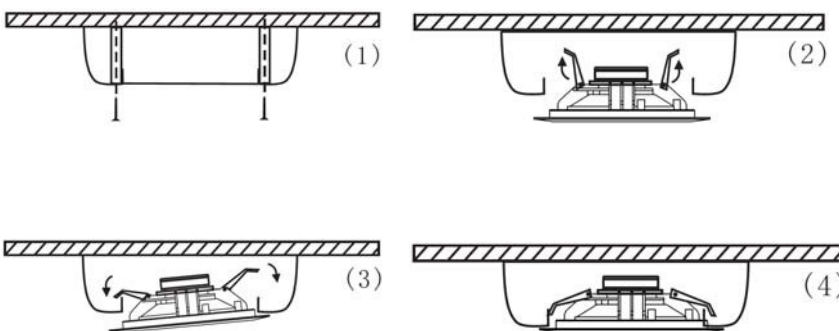
WARNING:

- Installation by qualified personnel only.
- Speakers must be wired in parallel and connected to the correct line terminals of amplifier.
- Ensure that all speakers have the same polarity with respect to each other.
- Do not select another tapings if the speaker is in use.
- No naked flame sources, such as lighted candles, should be placed on the apparatus.

SPECIFICATIONS

Model	A-256ATS
Loudspeaker	6"
Rated Power (RMS)	6 W
Power Taps	6 W & 3 W & 1 W
Impedance	1k6 Ω & 3k3 Ω & 10 kΩ
Sensitivity SPL (1 W / 1 m)	93 dB
Sound Pressure SPL (6 W / 1 m)	100 dB
Freq. Range	100 ~ 15.000 Hz
Dimension (mm)	Ø 245 x 95 (depth)
Weight	0,7 kg
Finish	Plastic
Colour	White (RAL 9016)
Mounting	Springs and bracket
Power selection	Transformer tabs

INSTALLATION GUIDE



Step 1- Secure the cone on the ceiling by using two screws.

Step 2- Place the springs located on both sides of the speaker inside the cone and upwards.

Step 3- Make sure the springs get down by themselves grabbing the speaker with the cone.

Step 4- The speaker is fixed inside the cone and the installation is complete.

Impedance	100 V	70 V	Cable
1k6 Ω	6 W	3 W	Red
3k3 Ω	3 W	1,5 W	White
10 kΩ	1 W	0,5 W	Green
-	Common	Common	Black