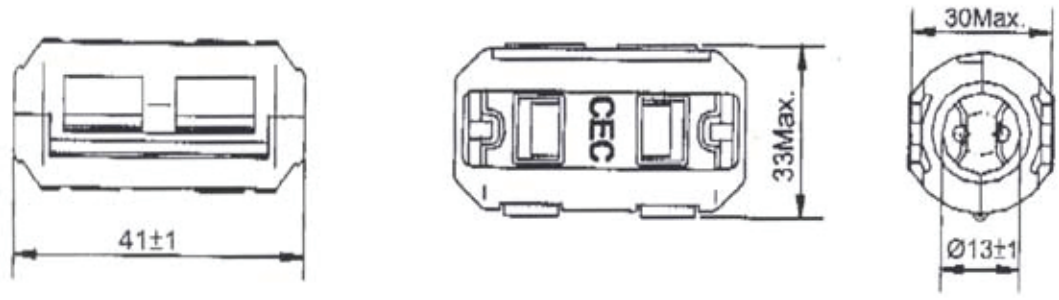


SPECIFICATION

LEAD FREE

APPROVED BY

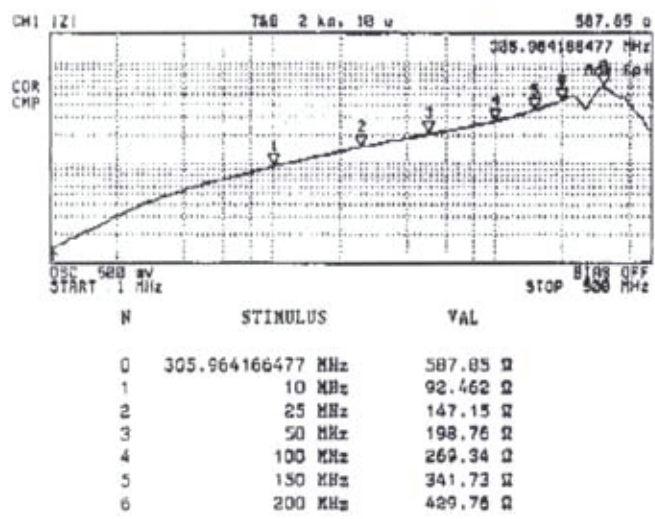
1. DIMENSIONS (UNIT : mm)



2. ELECTRICAL CHARACTERISTICS

ITEM	SPECIFICATION	TESTING CONDITIONS	MEASUREMENT INSTRUMENT
APPLICABLE CABLE	—————	$\phi 10.0\text{mm} < D < \phi 13.0\text{mm}$ (REF.)	—————
IMPEDANCE	90 Ω Min. (at 25MHz) 205 Ω Min. (at 100MHz)	$\phi 0.80\text{mm}$ (2UEW); WIRE LENGTH: 220mm; TURNS: 1T	HP 4291B OR EQUIVALENT

3. IMPEDANCE-FREQUENCY CHARACTERISTICS (TYPICAL VALUE)



- 4. STORAGE TEMPERATURE: -40 ~ +85°C
- 5. OPERATION TEMPERATURE: -10 ~ +50°C

SPECIFICATION

LEAD FREE

6. RELIABILITY TEST STANDARD

* STANDARD TESTING CONDITIONS:

UNLESS OTHERWISE SPECIFIED, THE STANDARD RANGE OF ATMOSPHERIC CONDITIONS FOR MEASUREMENTS AND TESTS ARE AS FOLLOWS: AMBIENT TEMPERATURE: 15°C TO 35°C. RELATIVE HUMIDITY : 25% TO 85%.

AIR PRESSURE : 86kPa TO 106kPa.

IF THERE IS ANY DOUBT ABOUT THE RESULTS, MEASUREMENT SHALL BE MADE WITHIN THE FOLLOWING

LIMITS: AMBIENT TEMPERATURE: 20°C±1°C. RELATIVE HUMIDITY : 63% TO 67%. AIR PRESSURE : 86kPa TO 106kPa.

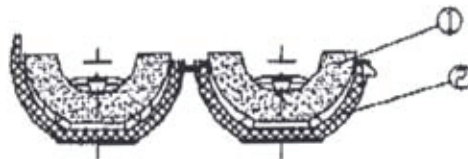
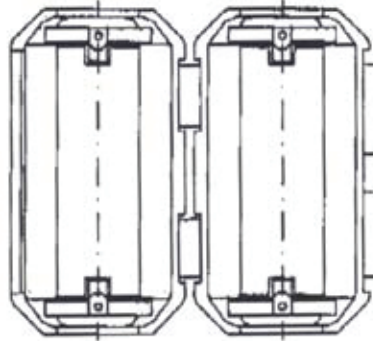
No.	ITEMS	CONDITIONS	SPECIFICATION									
1	OPEN-CLOSE TEST	OPEN, CLOSE 50 TIMES	NO MECHANICAL BREAKAGE AND THE ELECTRICAL CHARACTERISTICS SHALL BE SATISFIED.									
2	FALLING TEST	TO FALL FROM THE HEIGHT OF 70cm TO A WOOD BOARD, 3 TIMES.										
3	VIBRATION TEST	AMPLITUDE:1.5mm P-P FREQUENCY:10~55~10Hz (1 MINUTE PER CYCLE) DURATION:2 HOURS IN EACH OF X, Y, Z AXIS (TOTAL 6 HOURS)										
4	HUMIDITY TEST	TEMPERATURE: 40°C±2°C HUMIDITY: 90%~95%RH DURATION:96±4 HOURS.										
5	HIGH TEMPERATURE STORAGE TEST	TEMPERATURE: 85°C±2°C DURATION:96±4 HOURS.										
6	LOW TEMPERATURE STORAGE TEST	TEMPERATURE: -25°C±3°C DURATION:96±4 HOURS.										
7	TEMPERATURE CYCLE	10 CONTINUOUS CYCLES SHOWN AS BELOW <table border="1"><thead><tr><th>TEMPERATURE</th><th>DURATION</th></tr></thead><tbody><tr><td>-25°C±3°C</td><td>1 HOUR</td></tr><tr><td>20°C±2°C</td><td>10 MINUTES</td></tr><tr><td>85°C±2°C</td><td>1 HOUR</td></tr><tr><td>20°C±2°C</td><td>10 MINUTES</td></tr></tbody></table>		TEMPERATURE	DURATION	-25°C±3°C	1 HOUR	20°C±2°C	10 MINUTES	85°C±2°C	1 HOUR	20°C±2°C
TEMPERATURE	DURATION											
-25°C±3°C	1 HOUR											
20°C±2°C	10 MINUTES											
85°C±2°C	1 HOUR											
20°C±2°C	10 MINUTES											

SPECIFICATION

LEAD FREE

7. CONSTRUCTION

- ① HALF-RING CORE
- ② CASE(C2629)
COLOR: BLACK



8. MATERIAL LIST

No.	PARTS	MATERIAL	MANUFACTURE	COUNTRY OF ORIGIN	UL No.	UL FLAME CLASS
①	HALF-RING CORE	Ni-Zn FERRITE ELS OR EQUIVALENT	TONICHI FERRITE PRODUCTS CO., LTD.	CHINA	NA	NA
②	CASE(C2629)	PA66-1300S (BLACK)	ASAHI CHEMICAL INDUSTRY CO., LTD.	JAPAN	E48285	94V-2

NA: NOT APPLICABLE